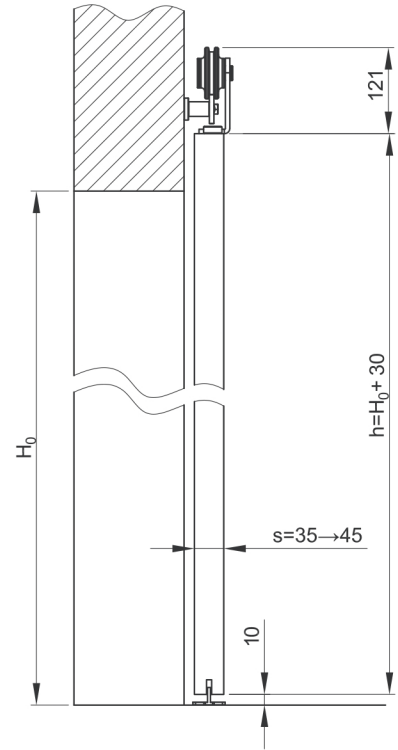
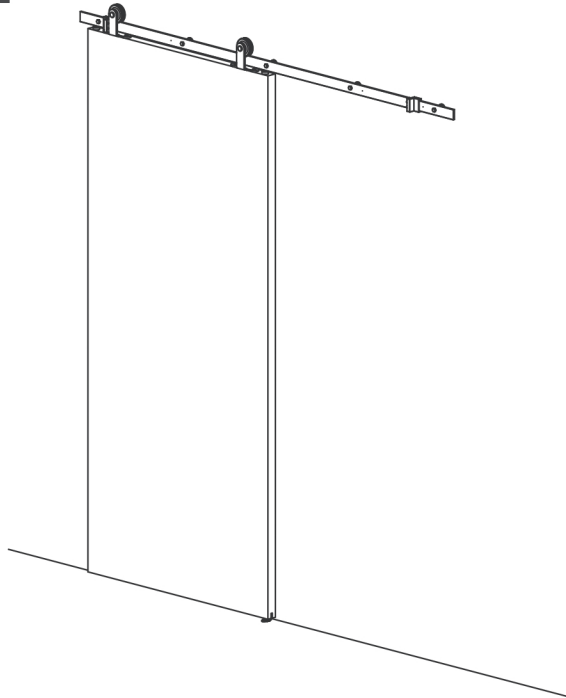
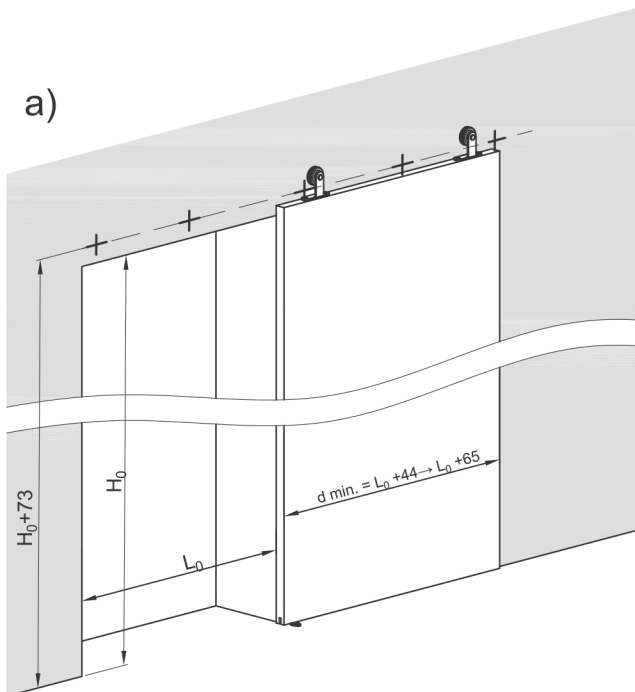


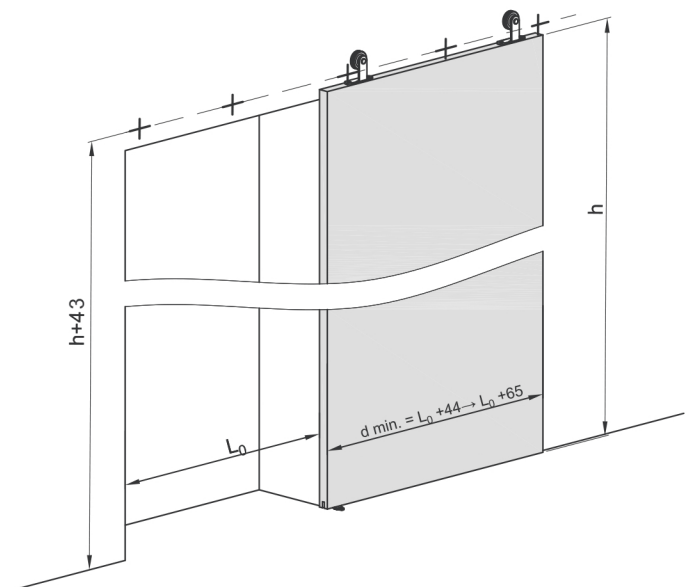
1

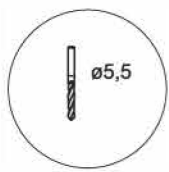


a)

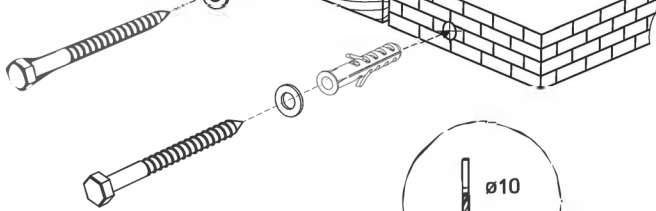


b)

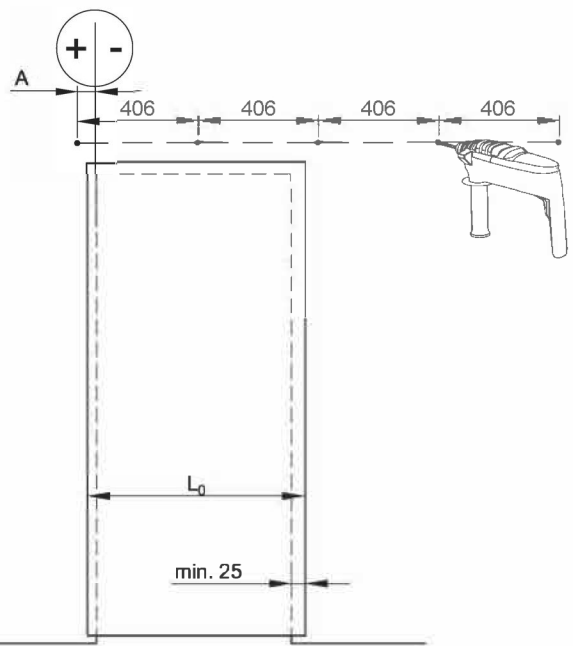
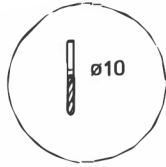




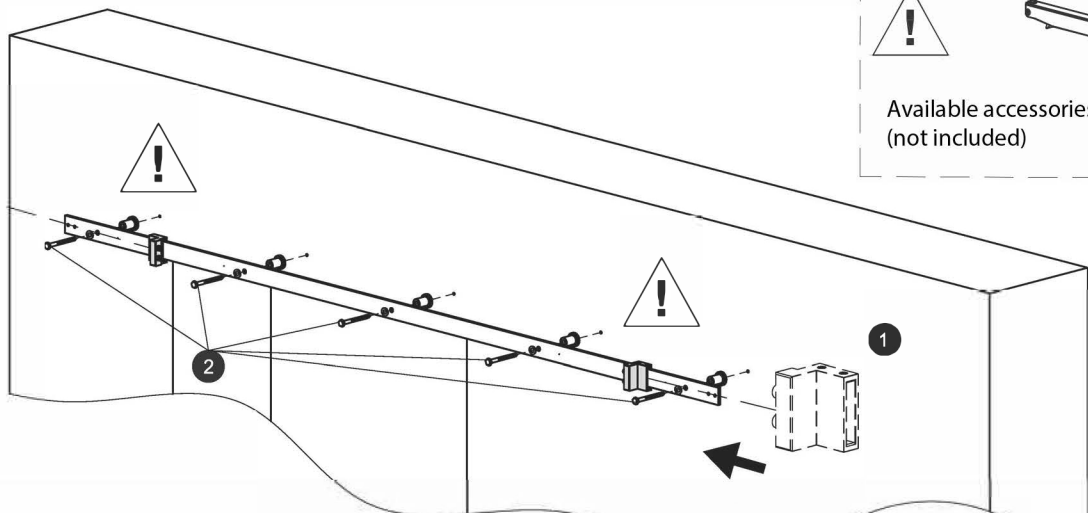
St 8x90 (x5)



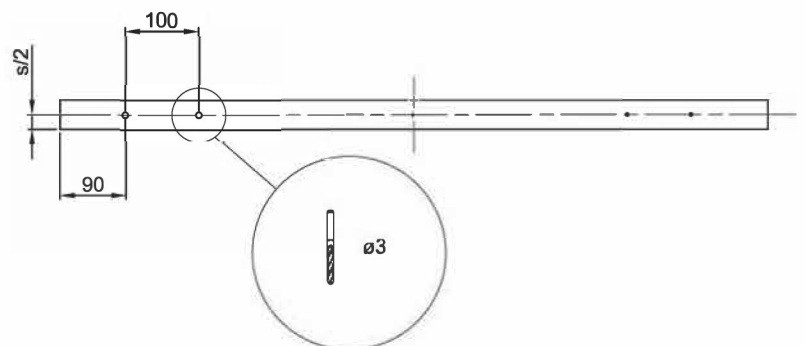
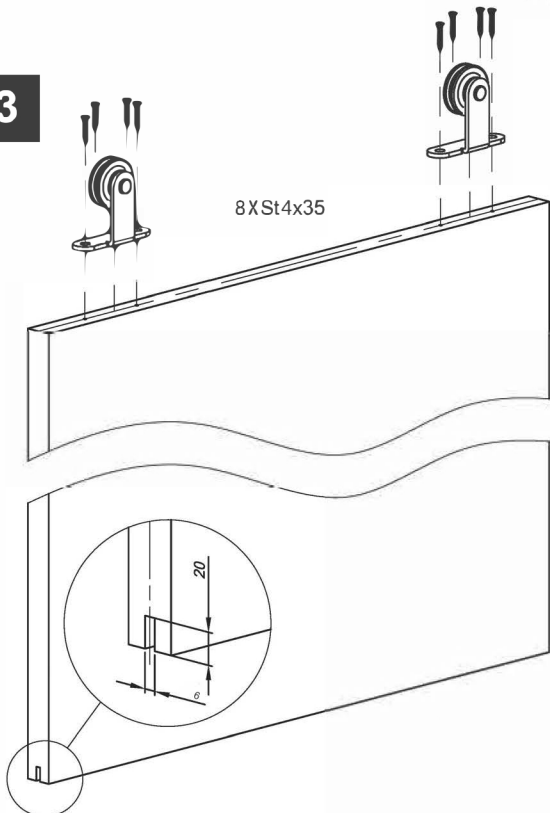
L_0 [mm]	$800 \leq L_0 < 900$	≥ 900
A [mm]	+40	-25



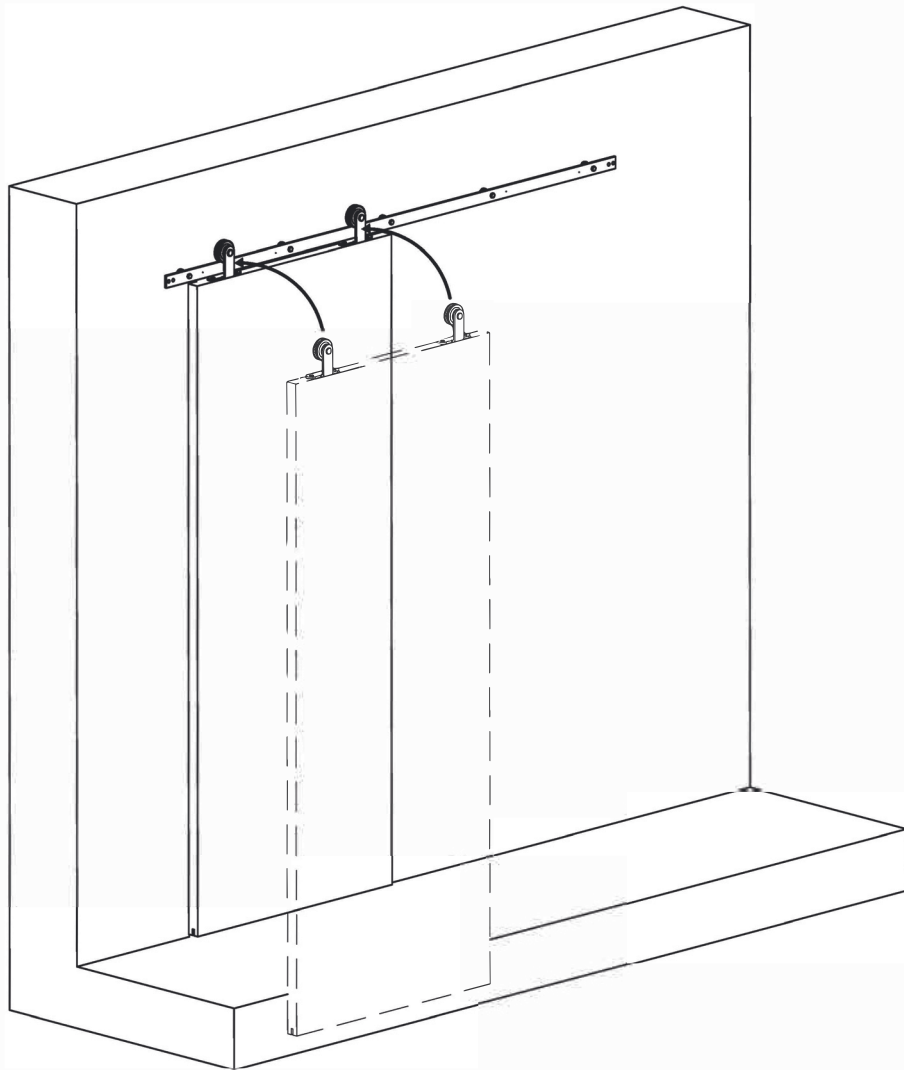
2



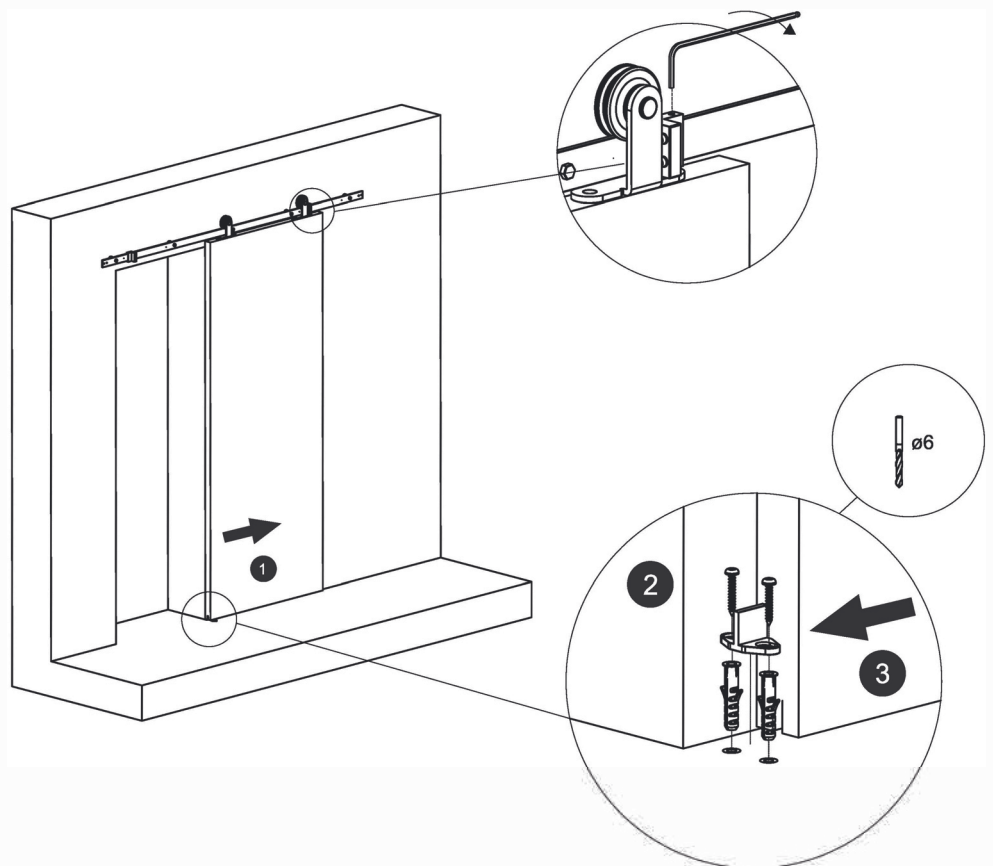
3



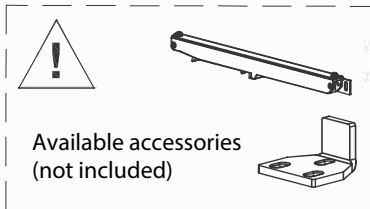
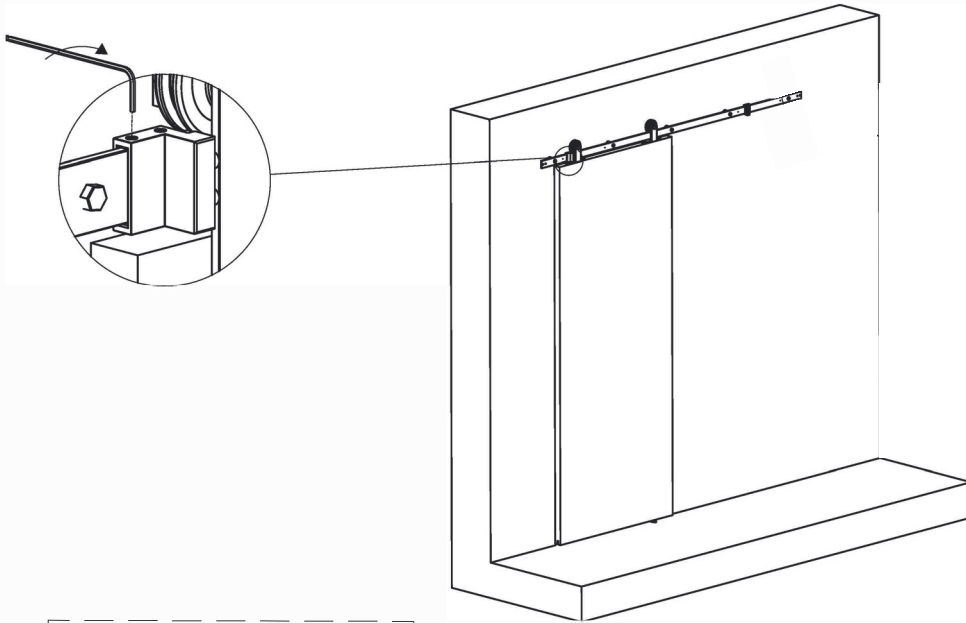
4



5



6



7

