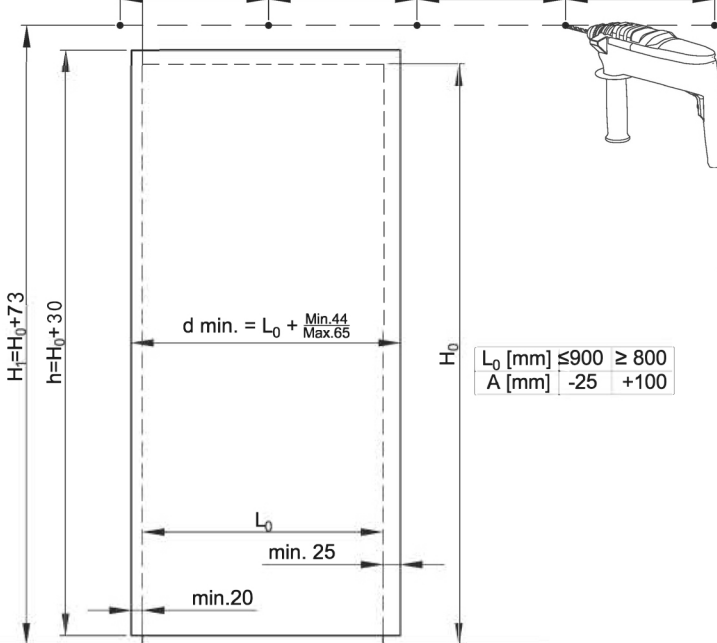
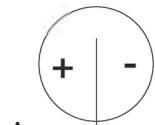
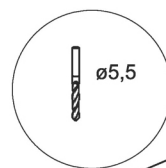


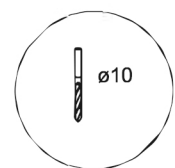
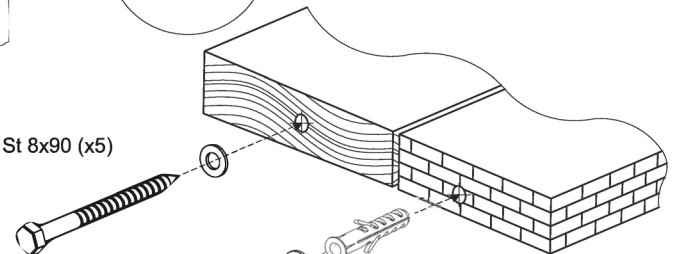
1



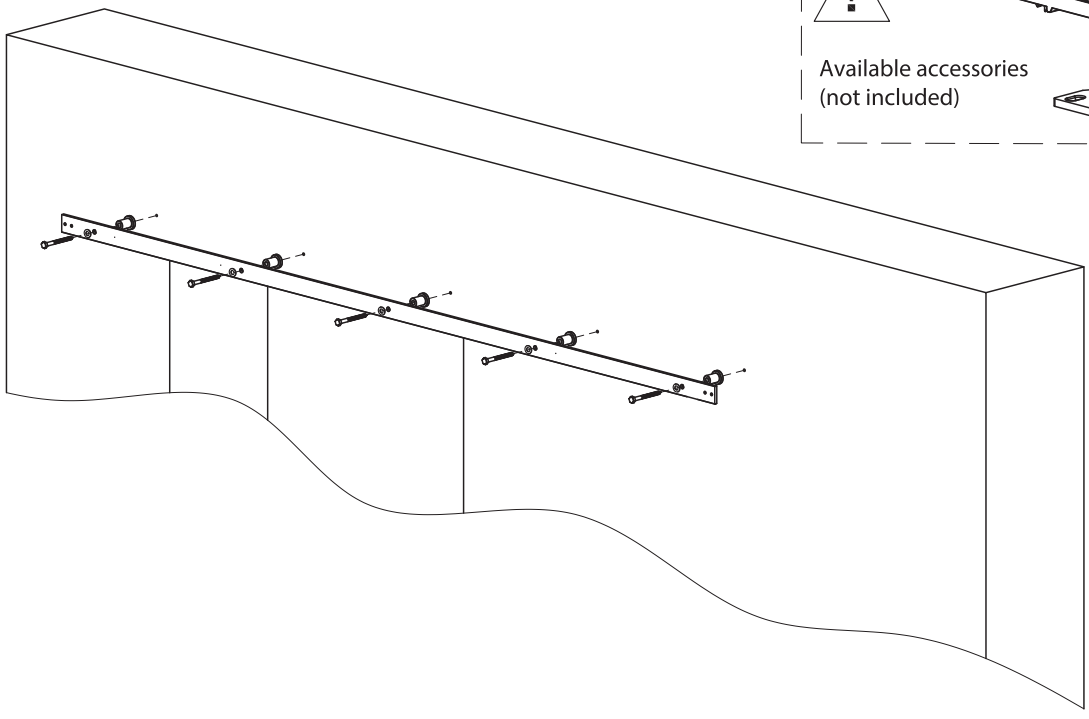
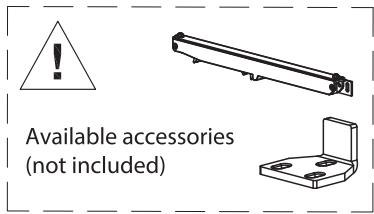
L_0 [mm]	≤ 900	≥ 800
A [mm]	-25	+100



St 8x90 (x5)



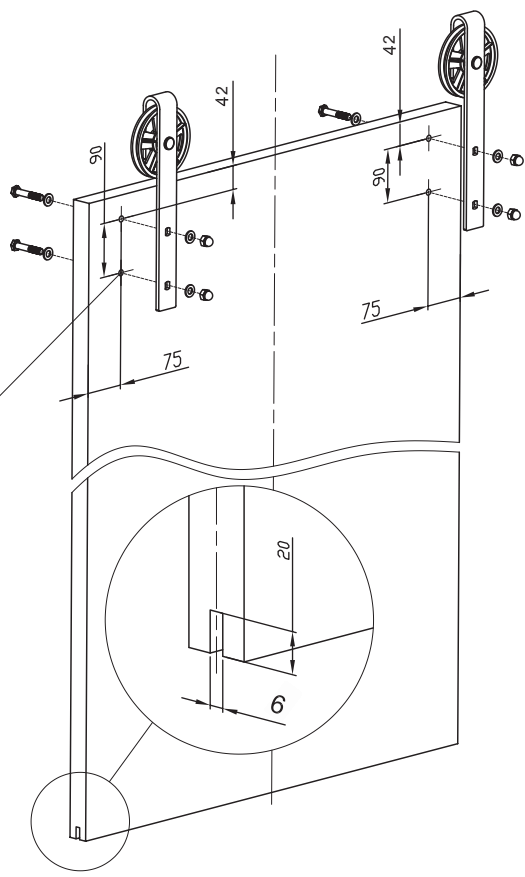
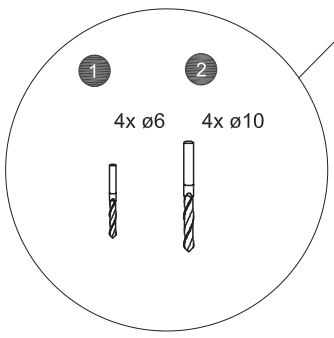
2



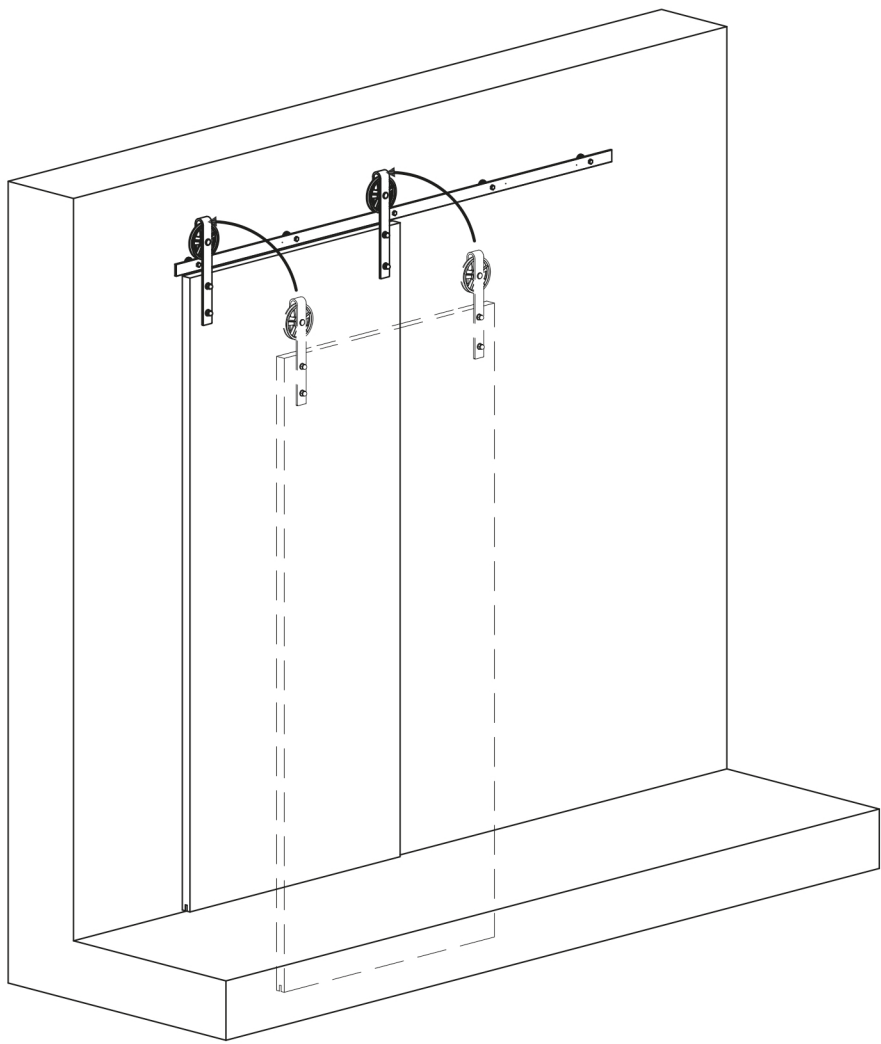
3

M10x55 s= $\begin{matrix} \text{Min. } 35 \\ \text{Max. } 40 \end{matrix}$

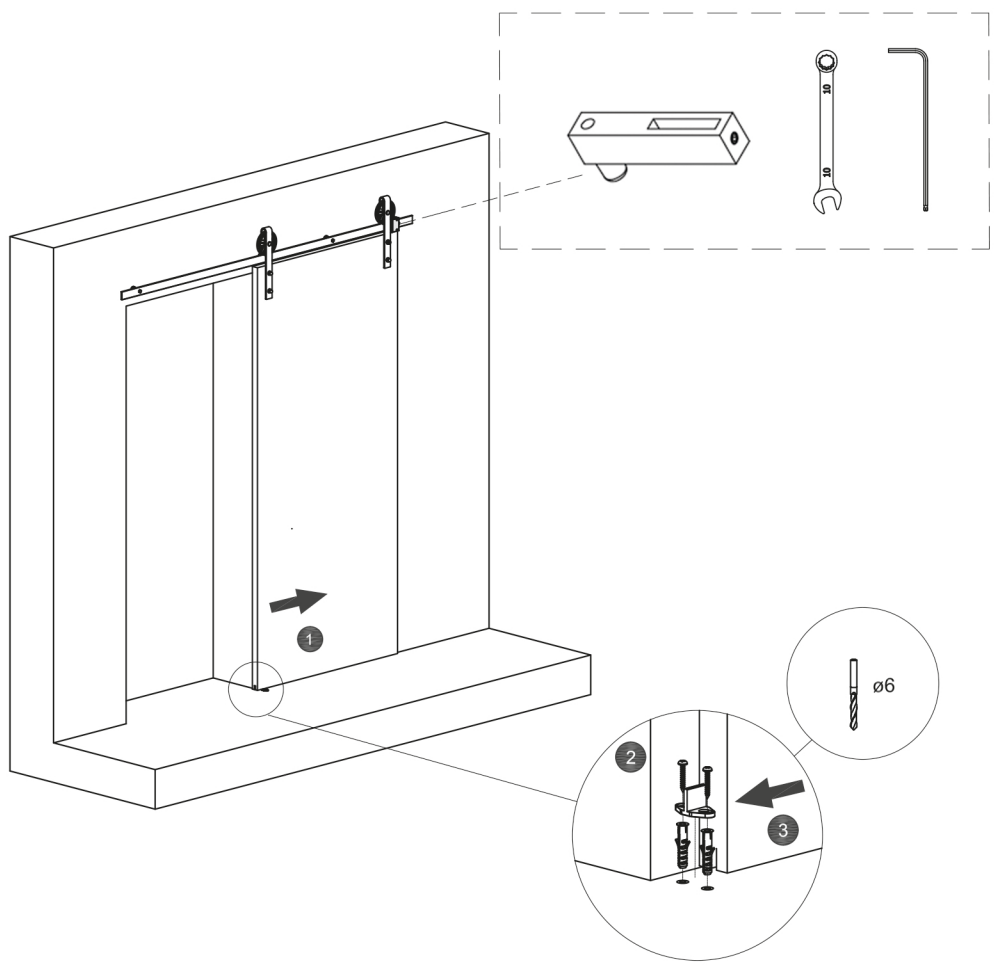
M10x60 s= $\begin{matrix} \text{Min. } 40 \\ \text{Max. } 45 \end{matrix}$



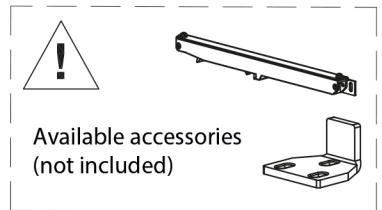
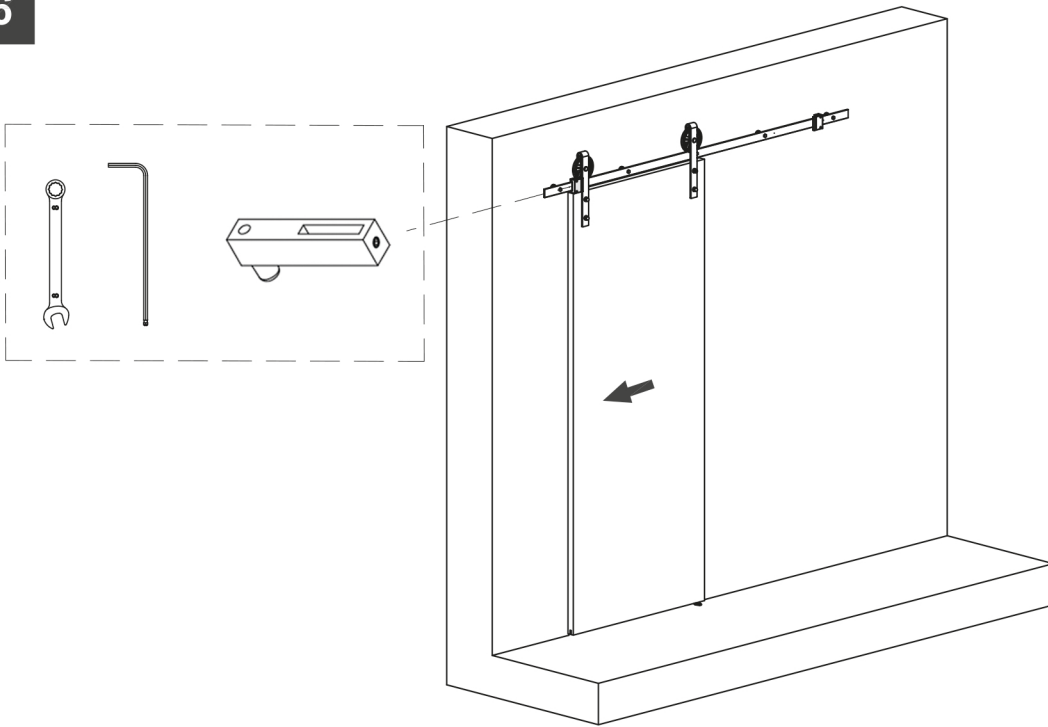
4



5



6



7

